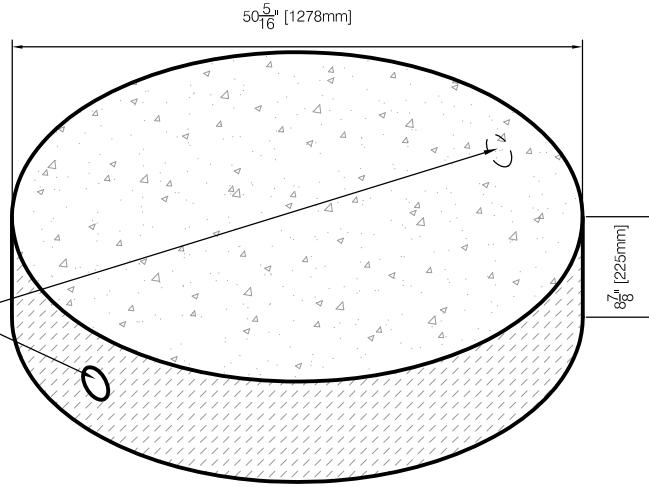


1050 DZ FORM

(2) - 2 TON  
SWIFT LIFTS (TYP.)

**1160 lbs**

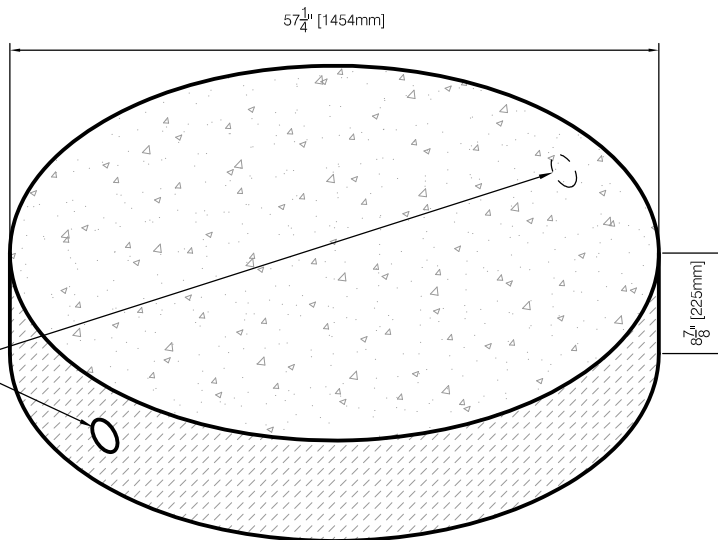


FOR USE ON  
750mmØ MANHOLE  
SECTION

1200 DZ FORM

(2) - 2 TON  
SWIFT LIFTS (TYP.)

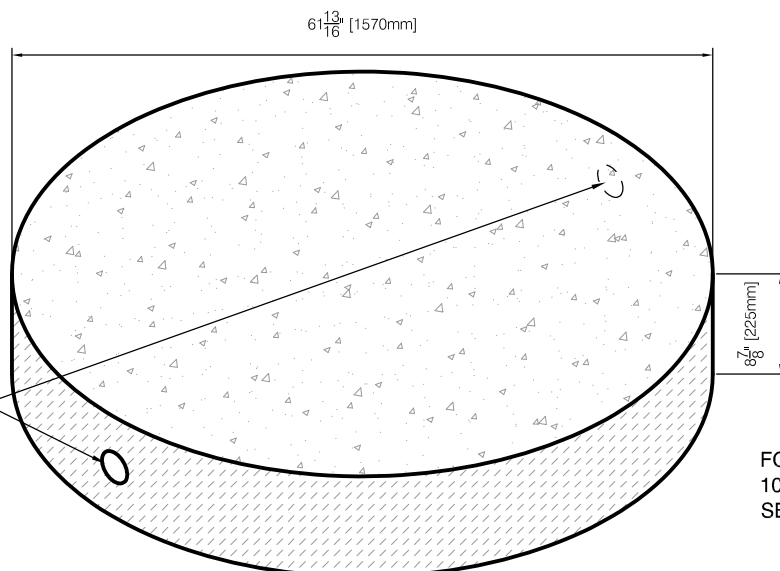
**1500 lbs**



FOR USE ON  
900mmØ MANHOLE  
SECTION

(2) - 2 TON  
SWIFT LIFTS (TYP.)

**1750 lbs**



FOR USE ON  
1050mmØ MANHOLE  
SECTION



A Subsidiary of Northern Vac Services Ltd.

P.O. Box 6868  
Fort St. John, B.C., V1J-4J3  
Phone: (250) 785-3382  
Fax: (250) 785-3381  
Email: nvac@shaw.ca

**EXTENDED SLAB TYPE A BASES  
MOTI SPEC. SP582-03.01  
750mm, 900mm & 1050mm**

Drawn:	DVT	Checked by:	CL	Dwg No.	1
Date:	Feb 2018	Cert #	—	Rev:	0



A Division of Northern Vac Services Ltd.

4665 Collier Place  
Williams Lake, B.C., V2G-5E0  
Phone: (250) 392-3169  
Fax: (250) 392-3176  
Web: www.grossoprecast.com